

SN54LS668, SN54LS669, SN74LS668, SN74LS669 SYNCHRONOUS 4-BIT UP/DOWN COUNTERS

SDLS192 – APRIL 1977 – REVISED MARCH 1988

'LS668 . . . SYNCHRONOUS UP/DOWN DECADE COUNTERS 'LS669 . . . SYNCHRONOUS UP/DOWN BINARY COUNTERS

Programmable Look-Ahead Up/Down Binary/Decade Counters

- Fully Synchronous Operation for Counting and Programming
- Internal Look-Ahead for Fast Counting
- Carry Output for n-Bit Cascading
- Fully Independent Clock Circuit
- Buffered Outputs

TYPE	TYPICAL MAXIMUM CLOCK FREQUENCY		TYPICAL POWER DISSIPATION
	COUNTING UP	COUNTING DOWN	
'LS668, 'LS669	32 MHz	32 MHz	100 mW

description

These synchronous presettable counters feature an internal carry look-ahead for cascading in high-speed counting applications. The 'LS668 are decade counters and the 'LS669 are 4-bit binary counters. Synchronous operation is provided by having all flip-flops clocked simultaneously so that the outputs change coincident with each other when so instructed by the count-enable inputs and internal gating. This mode of operation helps eliminate the output counting spikes that are normally associated with asynchronous (ripple-clock) counters. A buffered clock input triggers the four master-slave flip-flops on the rising (positive-going) edge of the clock waveform.

These counters are fully programmable; that is, the outputs may each be preset to either level. The load input circuitry allows loading with the carry-enable output of cascaded counters. As loading is synchronous, setting up a low level at the load input disables the counter and causes the outputs to agree with the data inputs after the next clock pulse.

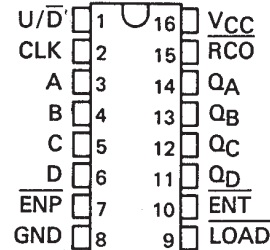
The carry look-ahead circuitry provides for cascading counters for n-bit synchronous applications without additional gating. Instrumental in accomplishing this function are two count-enable inputs and a carry output. Both count enable inputs (\bar{P} and \bar{T}) must be low to count. The direction of the count is determined by the level of the up/down input. When the input is high, the counter counts up; when low, it counts down. Input \bar{T} is fed forward to enable the carry output. The carry output thus enabled will produce a low-level output pulse when the count is maximum counting up or zero counting down. This low-level overflow carry pulse can be used to enable successive cascaded stages. Transitions at the enable \bar{P} or \bar{T} inputs are allowed regardless of the level of the clock input. All inputs are diode-clamped to minimize transmission-line effects, thereby simplifying system design.

These counters feature a fully independent clock circuit. Changes at control inputs (enable \bar{P} , enable \bar{T} , load, up/down) that will modify the operating mode have no effect until clocking occurs. The function of the counter (whether enabled, disabled, loading, or counting) will be dictated solely by the conditions meeting the stable setup and hold times.

The 'LS668 and 'LS669 are completely new designs. Compared to the original 'LS168 and 'LS169, they feature 0-nanosecond minimum hold time, reduced input currents I_{IH} and I_{IL} , and all buffered outputs.

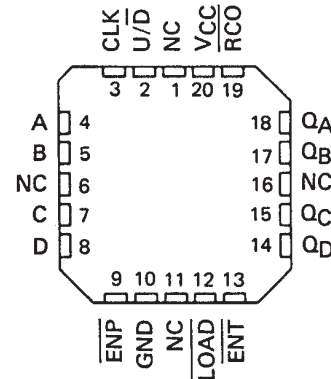
SN54LS668, SN54LS669 . . . J OR W PACKAGE
SN74LS668, SN74LS669 . . . D OR N PACKAGE

(TOP VIEW)



SN54LS668, SN54LS669 . . . FK PACKAGE

(TOP VIEW)



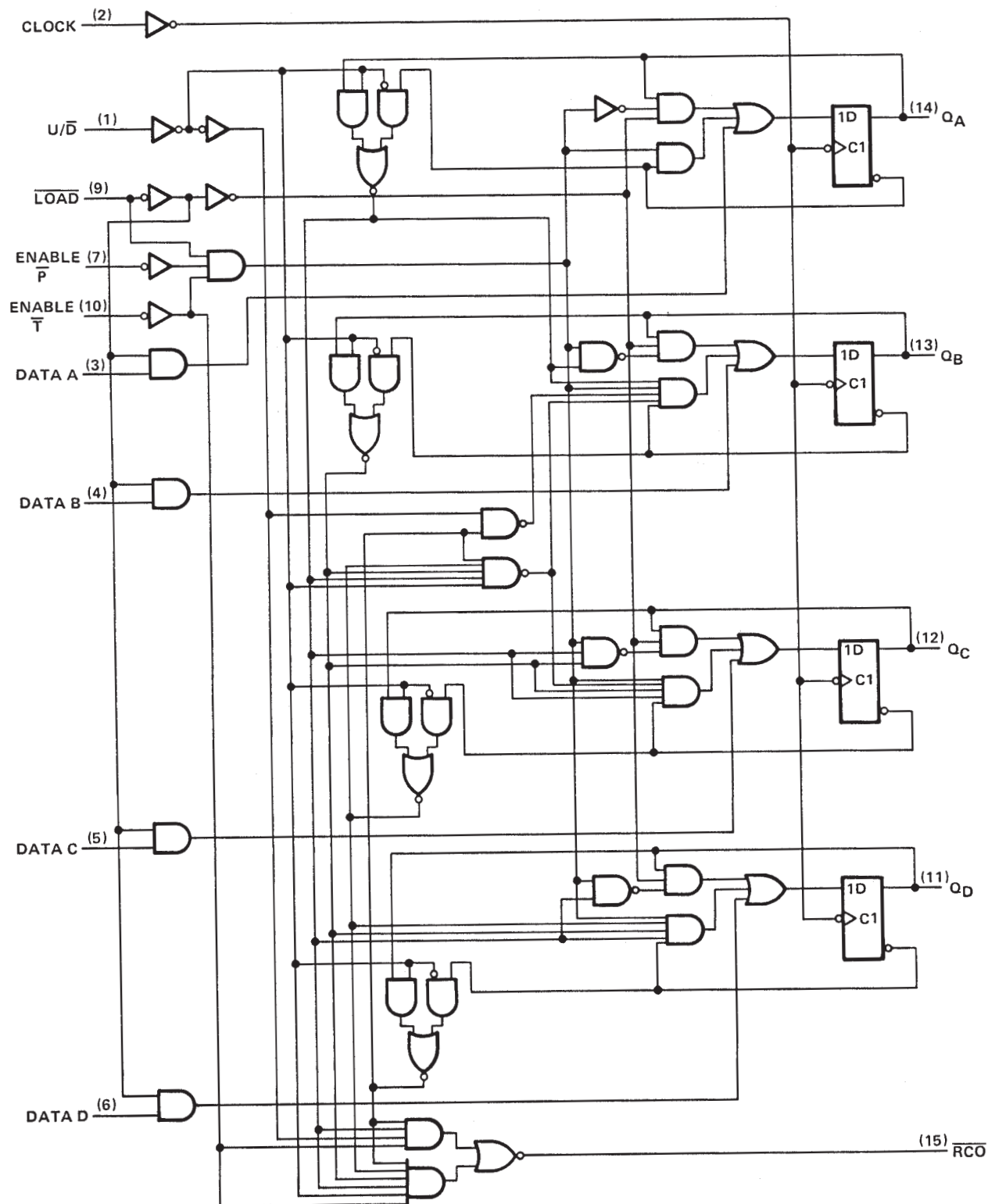
NC – No internal connection

SN54LS668, SN74LS668 SYNCHRONOUS 4-BIT UP/DOWN COUNTERS

SDLS192 – APRIL 1977 – REVISED MARCH 1988

logic diagram (positive logic)

SN54LS668, SN74LS668, DECADE COUNTERS



Pin numbers shown are for D, J, N, and W packages.



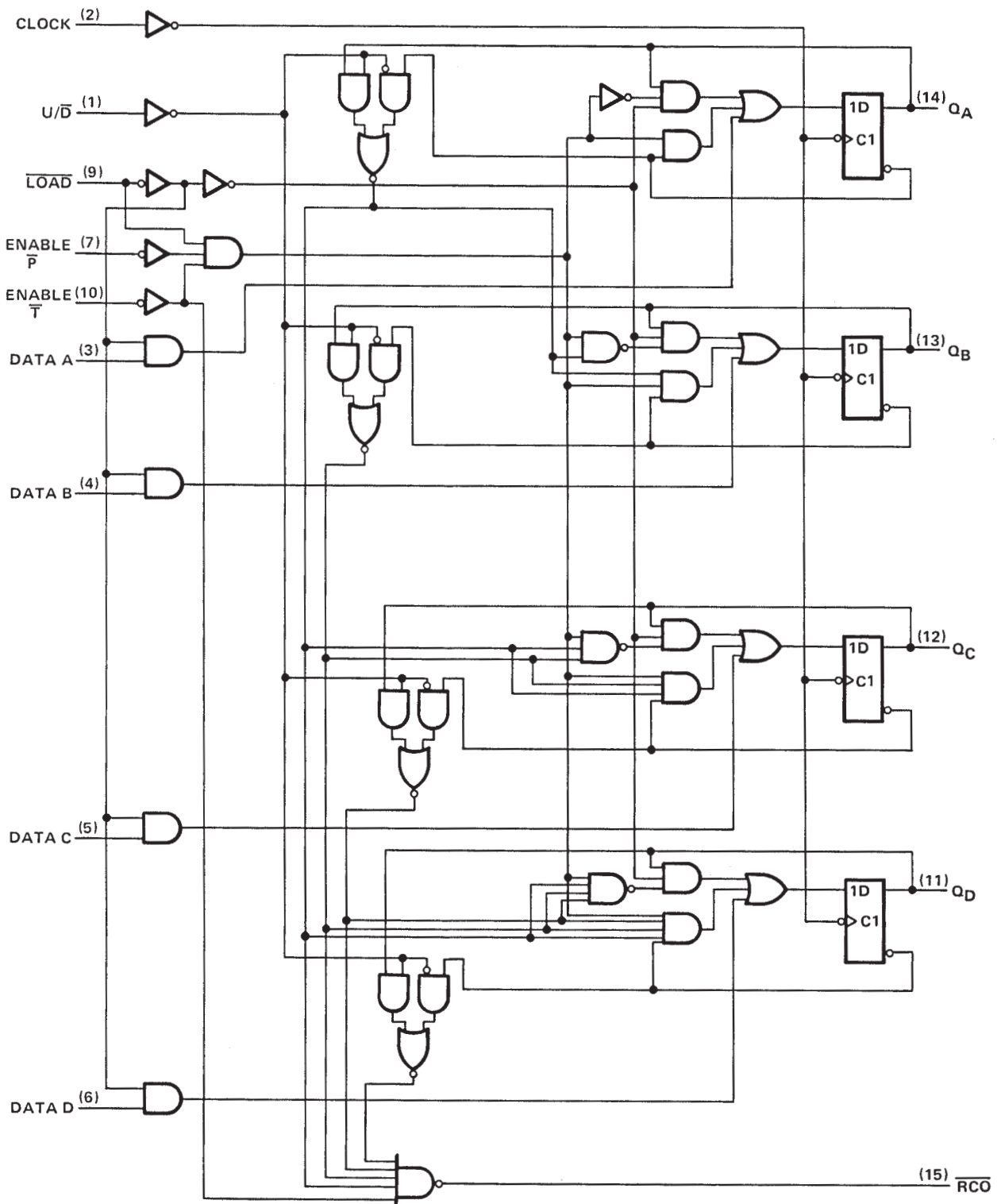
POST OFFICE BOX 655303 • DALLAS, TEXAS 75265

SN54LS669, SN74LS669 SYNCHRONOUS 4-BIT UP/DOWN COUNTERS

SDLS192 – APRIL 1977 – REVISED MARCH 1988

logic diagram (positive logic) (continued)

SN54LS669, SN74LS669, BINARY COUNTERS



Pin numbers shown are for D, J, N, and W packages.

SN54LS668, SN74LS668 SYNCHRONOUS 4-BIT UP/DOWN COUNTERS

SDLS192 – APRIL 1977 – REVISED MARCH 1988

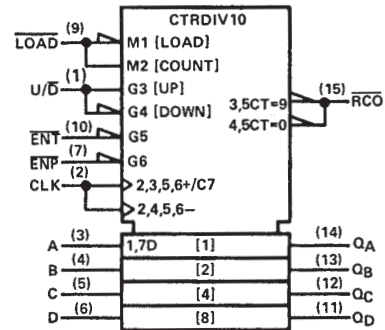
'LS668 DECADE COUNTERS

typical load, count, and inhibit sequences

Illustrated below is the following sequence:

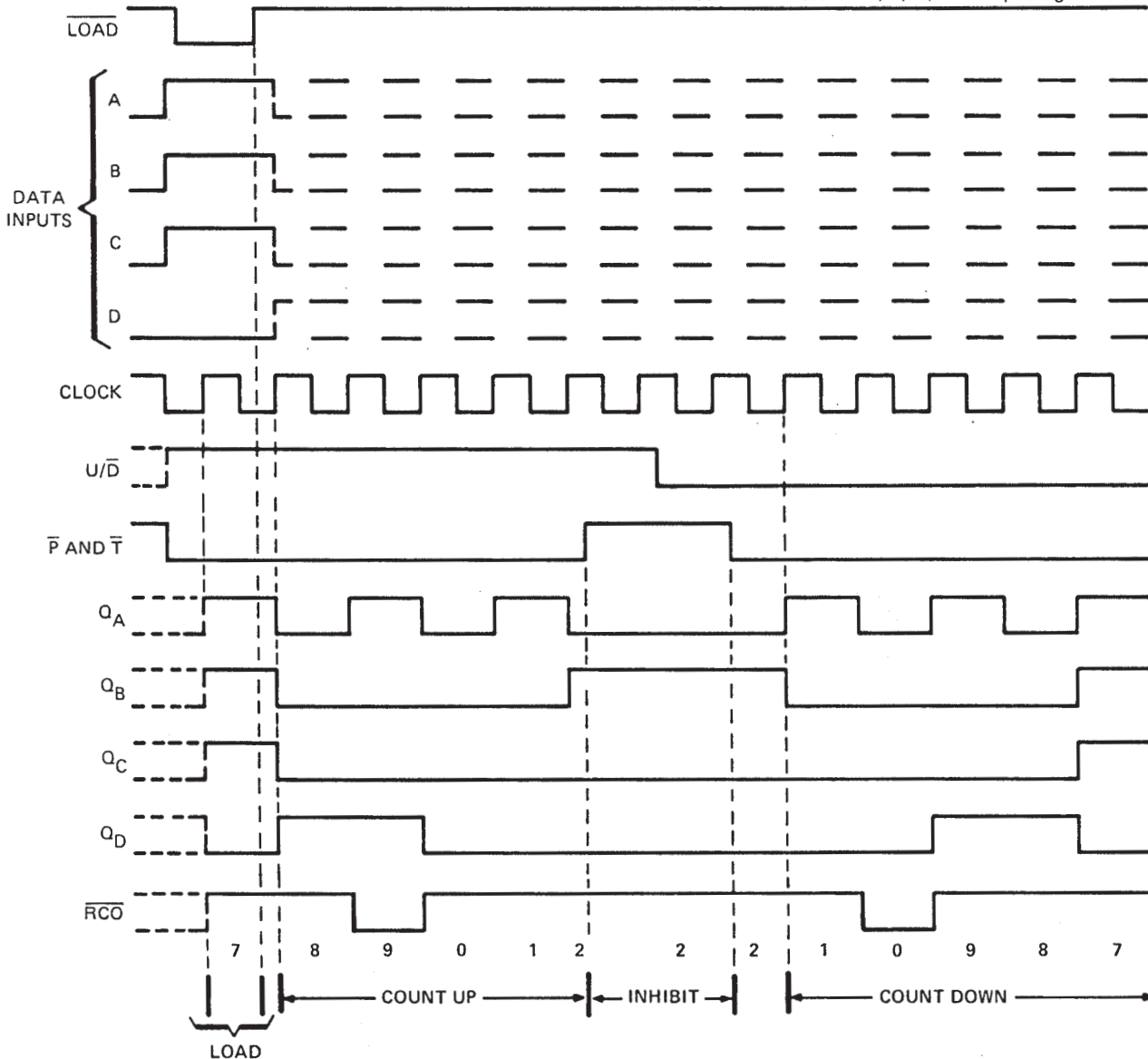
1. Load (preset) to BCD seven
2. Count up to eight, nine (maximum), zero, one, and two
3. Inhibit
4. Count down to one, zero (minimum), nine, eight, and seven

logic symbol†



†This symbol is in accordance with ANSI/IEEE Std. 91-1984 and IEC Publication 617-12.

Pin numbers shown are for D, J, N, and W packages.



SN54LS669, SN74LS669 SYNCHRONOUS 4-BIT UP/DOWN COUNTERS

SDLS192 – APRIL 1977 – REVISED MARCH 1988

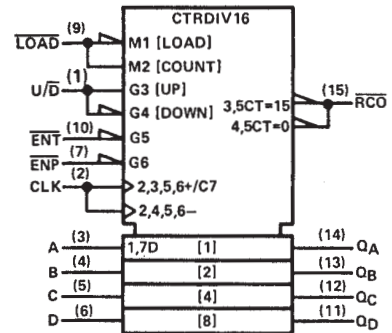
'LS669 BINARY COUNTERS

typical load, count, and inhibit sequences

Illustrated below is the following sequence:

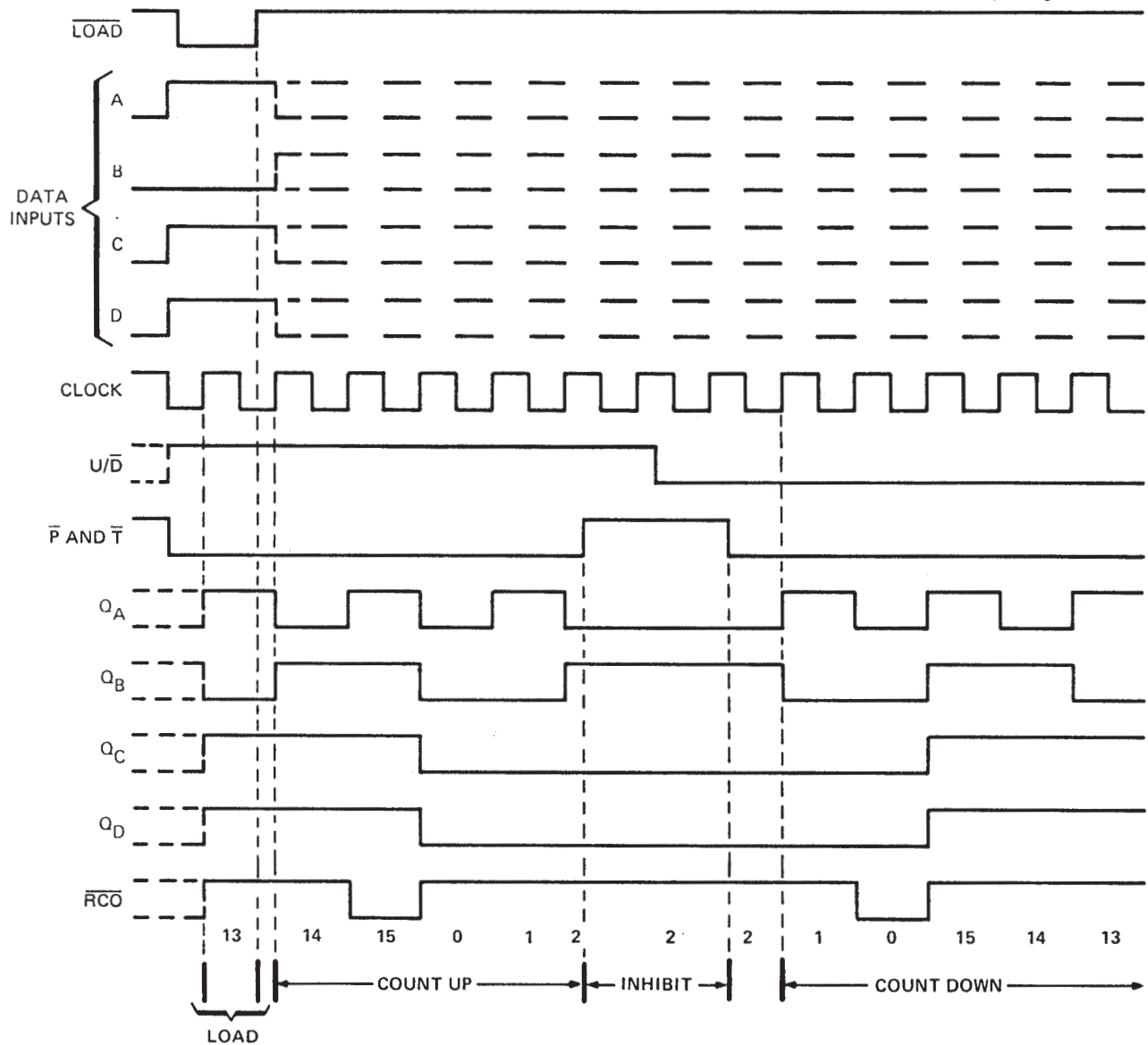
1. Load (preset) to binary thirteen
2. Count up to fourteen, fifteen (maximum), zero, one, and two
3. Inhibit
4. Count down to one, zero (minimum), fifteen, fourteen, and thirteen

logic symbol†



†This symbol is in accordance with ANSI/IEEE Std. 91-1984 and IEC Publication 617-12.

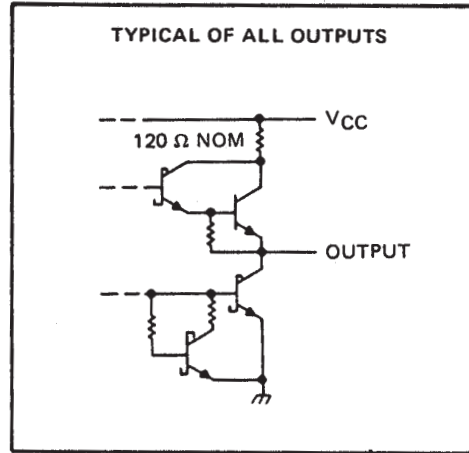
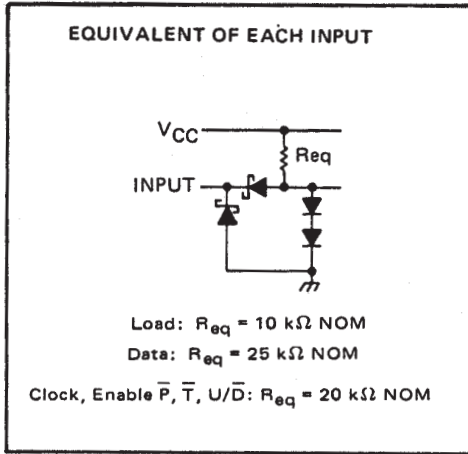
Pin numbers shown are for D, J, N, and W packages.



SN54LS668, SN54LS669, SN74LS668, SN74LS669 SYNCHRONOUS 4-BIT UP/DOWN COUNTERS

SDLS192 – APRIL 1977 – REVISED MARCH 1988

schematics of inputs and outputs



absolute maximum ratings over operating free-air temperature range (unless otherwise noted)

Supply voltage, V_{CC} (see Note 1)	7 V
Input voltage	7 V
Operating free-air temperature range: SN54LS668, SN54LS669	-55°C to 125°C
SN74LS668, SN74LS669	0°C to 70°C
Storage temperature range	-65°C to 150°C

NOTE 1: Voltage values are with respect to network ground terminal.

recommended operating conditions

	SN54LS668 SN54LS669			SN74LS668 SN74LS669			UNIT
	MIN	NOM	MAX	MIN	NOM	MAX	
Supply voltage, V_{CC}	4.5	5	5.5	4.75	5	5.25	V
High-level output current, I_{OH}			-400			-400	μA
Low-level output current, I_{OL}			4			8	mA
Clock frequency, f_{clock}	0		25	0		25	MHz
Width of clock pulse, $t_w(\text{clock})$ (high or low) (see Figure 1)	20			20			ns
Setup time, t_{su} (see Figure 1)	Data inputs A, B, C, D	25		25			ns
	ENP or ENT	40		40			
	LOAD	30		30			
	U/D	45		45			
Hold time at any input with respect to clock, t_h (see Figure 1)	0			0			ns
Operating free-air temperature, T_A	-55		125	0		70	°C

SN54LS668, SN54LS669, SN74LS668, SN74LS669 SYNCHRONOUS 4-BIT UP/DOWN COUNTERS

SDLS192 – APRIL 1977 – REVISED MARCH 1988

electrical characteristics over recommended operating free-air temperature range (unless otherwise noted)

PARAMETER		TEST CONDITIONS†	SN54LS668 SN54LS669		SN74LS668 SN74LS669		UNIT
			MIN	TYP‡	MAX	MIN	
V _{IH}	High-level input voltage		2			2	V
V _{IL}	Low-level input voltage			0.7		0.8	V
V _{IK}	Input clamp voltage	V _{CC} = MIN, I _I = -18 mA		-1.5		-1.5	V
V _{OH}	High-level output voltage	V _{CC} = MIN, V _{IH} = 2 V, V _{IL} = V _{IL} max, I _{OH} = -400 μA	2.5	3.4		2.7 3.4	V
V _{OL}	Low-level output voltage	V _{CC} = MIN, V _{IH} = 2 V, V _{IL} = V _{IL} max	I _{OL} = 4 mA		0.25 0.4		V
			I _{OL} = 8 mA		0.35 0.5		
I _I	Input current at maximum input voltage	A, B, C, D, \bar{P} , U/ \bar{D}	V _{CC} = MAX, V _I = 7 V		0.1		mA
		Clock, \bar{T}			0.1		
		\bar{LOAD}			0.2		
I _{IH}	High-level input current	A, B, C, D, \bar{P} , U/ \bar{D}	V _{CC} = MAX, V _I = 2.7 V		20		μA
		Clock, \bar{T}			20		
		\bar{LOAD}			40		
I _{IL}	Low-level input current	A, B, C, D, \bar{P} , U/ \bar{D}	V _{CC} = MAX, V _I = 0.4 V		-0.4		mA
		Clock, \bar{T}			-0.4		
		\bar{LOAD}			-0.8		
I _{OS}	Short-circuit output current §	V _{CC} = MAX	-20	-100	-20	-100	mA
I _{CC}	Supply current	V _{CC} = MAX, See Note 2	20	34	20	34	mA

† For conditions shown as MIN or MAX, use the appropriate value specified under recommended operating conditions.

‡ All typical values are at V_{CC} = 5 V, T_A = 25°C.

§ Not more than one output should be shorted at a time, and duration of the short-circuit should not exceed one second.

NOTE 2: I_{CC} is measured after applying a momentary 4.5 V, then ground, to the clock input with all other inputs grounded and the outputs open.

switching characteristics, V_{CC} = 5 V, T_A = 25°C

PARAMETER¶	FROM (INPUT)	TO (OUTPUT)	TEST CONDITIONS	MIN	TYP	MAX	UNIT
f _{max}			C _L = 15 pF, R _L = 2 kΩ, See Figures 2 and 3	25	32		MHz
t _{PLH}	CLK	\overline{RCO}			26	40	ns
t _{PHL}					40	60	
t _{PLH}	CLK	Any Q			18	27	ns
t _{PHL}						18	
t _{PLH}	\overline{ENT}	\overline{RCO}			11	17	ns
t _{PHL}						29	
t _{PLH} #	U/ \bar{D}	\overline{RCO}			22	35	ns
t _{PHL} #						26	

¶ f_{max} = Maximum clock frequency.

t_{PLH} = propagation delay time, low-to-high-level output.

t_{PHL} = propagation delay time, high-to-low-level output.

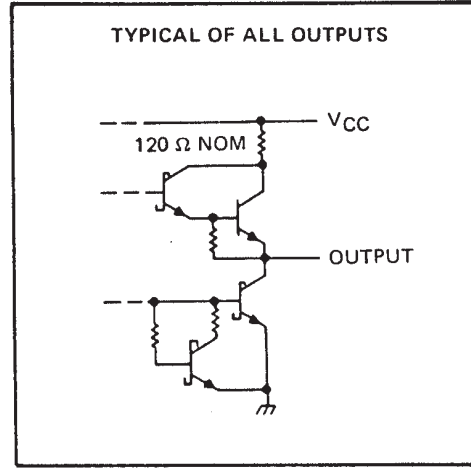
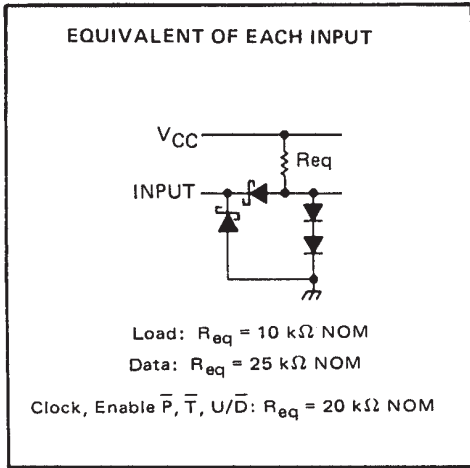
Propagation delay time from up/down to ripple carry must be measured with the counter at either a minimum or a maximum count. As the logic level of the up/down input is changed, the ripple carry output will follow. If the count is minimum (0), the ripple carry output transition will be in phase. If the count is maximum (9 for 'LS668 or 15 for 'LS669), the ripple carry output will be out of phase.



SN54LS668, SN54LS669, SN74LS668, SN74LS669 SYNCHRONOUS 4-BIT UP/DOWN COUNTERS

SDLS192 – APRIL 1977 – REVISED MARCH 1988

schematics of inputs and outputs



absolute maximum ratings over operating free-air temperature range (unless otherwise noted)

Supply voltage, V_{CC} (see Note 1)	7 V
Input voltage	7 V
Operating free-air temperature range: SN54LS668, SN54LS669	-55°C to 125°C
SN74LS668, SN74LS669	0°C to 70°C
Storage temperature range	-65°C to 150°C

NOTE 1: Voltage values are with respect to network ground terminal.

recommended operating conditions

	SN54LS668 SN54LS669			SN74LS668 SN74LS669			UNIT		
	MIN	NOM	MAX	MIN	NOM	MAX			
Supply voltage, V_{CC}	4.5	5	5.5	4.75	5	5.25	V		
High-level output current, I_{OH}			-400			-400	μA		
Low-level output current, I_{OL}			4			8	mA		
Clock frequency, f_{clock}	0		25	0		25	MHz		
Width of clock pulse, $t_w(\text{clock})$ (high or low) (see Figure 1)	20			20			ns		
Setup time, t_{su} (see Figure 1)	Data inputs A, B, C, D			25			ns		
	\bar{ENP} or \bar{ENT}			40					
	LOAD			30					
	U/\bar{D}			45					
Hold time at any input with respect to clock, t_h (see Figure 1)	0			0			ns		
Operating free-air temperature, T_A	-55			125			0	70	°C



POST OFFICE BOX 655303 • DALLAS, TEXAS 75265

SN54LS668, SN54LS669, SN74LS668, SN74LS669 SYNCHRONOUS 4-BIT UP/DOWN COUNTERS

SDLS192 – APRIL 1977 – REVISED MARCH 1988

electrical characteristics over recommended operating free-air temperature range (unless otherwise noted)

PARAMETER		TEST CONDITIONS†	SN54LS668 SN54LS669		SN74LS668 SN74LS669		UNIT	
			MIN	TYP‡	MAX	MIN		TYP‡
V _{IH}	High-level input voltage		2			2	V	
V _{IL}	Low-level input voltage				0.7		0.8	
V _{IK}	Input clamp voltage	V _{CC} = MIN, I _I = -18 mA			-1.5		-1.5	
V _{OH}	High-level output voltage	V _{CC} = MIN, V _{IH} = 2 V, V _{IL} = V _{IL} max, I _{OH} = -400 μA	2.5	3.4		2.7	3.4	
V _{OL}	Low-level output voltage	V _{CC} = MIN, V _{IH} = 2 V, V _{IL} = V _{IL} max	I _{OL} = 4 mA		0.25	0.4	0.25	0.4
			I _{OL} = 8 mA				0.35	0.5
I _I	Input current at maximum input voltage	A, B, C, D, \bar{P} , U/ \bar{D}	V _{CC} = MAX, V _I = 7 V				0.1	0.1
		Clock, \bar{T}					0.1	0.1
		LOAD					0.2	0.2
I _{IH}	High-level input current	A, B, C, D, \bar{P} , U/ \bar{D}	V _{CC} = MAX, V _I = 2.7 V				20	20
		Clock, \bar{T}					20	20
		LOAD					40	40
I _{IL}	Low-level input current	A, B, C, D, \bar{P} , U/ \bar{D}	V _{CC} = MAX, V _I = 0.4 V				-0.4	-0.4
		Clock, \bar{T}					-0.4	-0.4
		LOAD					-0.8	-0.8
I _{OS}	Short-circuit output current [§]	V _{CC} = MAX	-20	-100	-20	-100	mA	
I _{CC}	Supply current	V _{CC} = MAX, See Note 2	20	34	20	34	mA	

† For conditions shown as MIN or MAX, use the appropriate value specified under recommended operating conditions.

‡ All typical values are at V_{CC} = 5 V, T_A = 25°C.

§ Not more than one output should be shorted at a time, and duration of the short-circuit should not exceed one second.

NOTE 2: I_{CC} is measured after applying a momentary 4.5 V, then ground, to the clock input with all other inputs grounded and the outputs open.

switching characteristics, V_{CC} = 5 V, T_A = 25°C

PARAMETER¶	FROM (INPUT)	TO (OUTPUT)	TEST CONDITIONS	MIN	TYP	MAX	UNIT
f _{max}			C _L = 15 pF, R _L = 2 kΩ, See Figures 2 and 3	25	32		MHz
t _{PLH}	CLK	\bar{RCO}			26	40	ns
t _{PHL}				40	60		
t _{PLH}	CLK	Any			18	27	ns
t _{PHL}		Q			18	27	
t _{PLH}	\bar{ENT}	\bar{RCO}			11	17	ns
t _{PHL}					29	45	
t _{PLH} #	U/ \bar{D}	\bar{RCO}			22	35	ns
t _{PHL} #					26	40	

¶ f_{max} = Maximum clock frequency.

t_{PLH} = propagation delay time, low-to-high-level output.

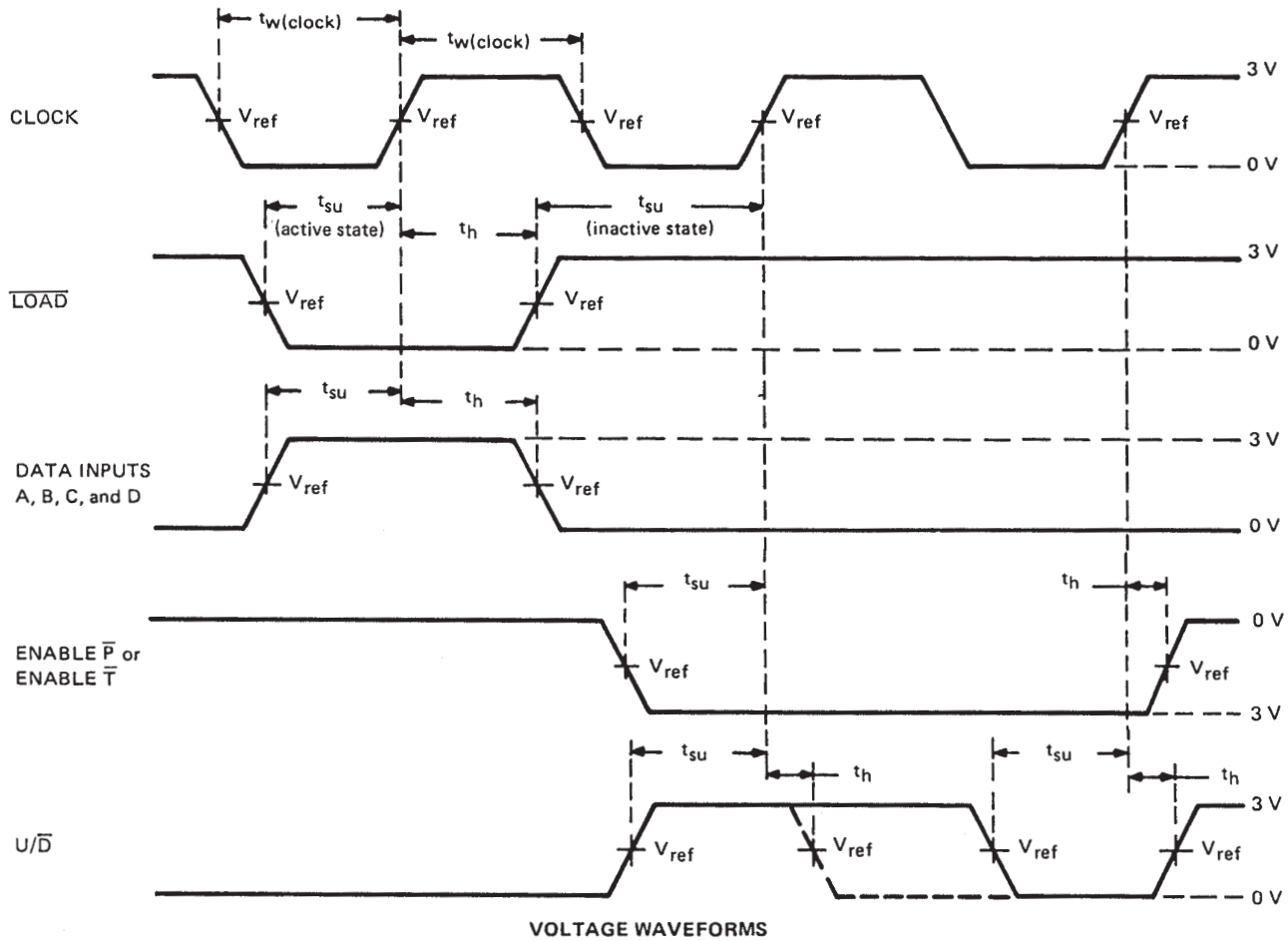
t_{PHL} = propagation delay time, high-to-low-level output.

Propagation delay time from up/down to ripple carry must be measured with the counter at either a minimum or a maximum count. As the logic level of the up/down input is changed, the ripple carry output will follow. If the count is minimum (0), the ripple carry output transition will be in phase. If the count is maximum (9 for 'LS668 or 15 for 'LS669), the ripple carry output will be out of phase.

SN54LS668, SN54LS669, SN74LS668, SN74LS669 SYNCHRONOUS 4-BIT UP/DOWN COUNTERS

SDLS192 – APRIL 1977 – REVISED MARCH 1988

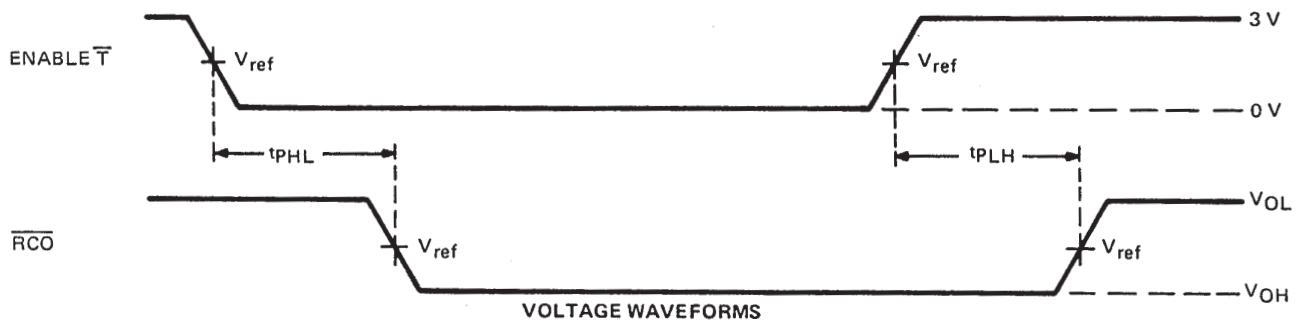
PARAMETER MEASUREMENT INFORMATION



VOLTAGE WAVEFORMS

- NOTES: A. The input pulses are supplied by a generator having the following characteristics: PRR \leq 1 MHz, duty cycle \leq 50%, $Z_{out} \approx 50 \Omega$; $t_r \leq 15$ ns, $t_f \leq 6$ ns.
 B. $V_{ref} = 1.3$ V.

FIGURE 1—PULSE WIDTHS, SETUP TIMES, HOLD TIMES



VOLTAGE WAVEFORMS

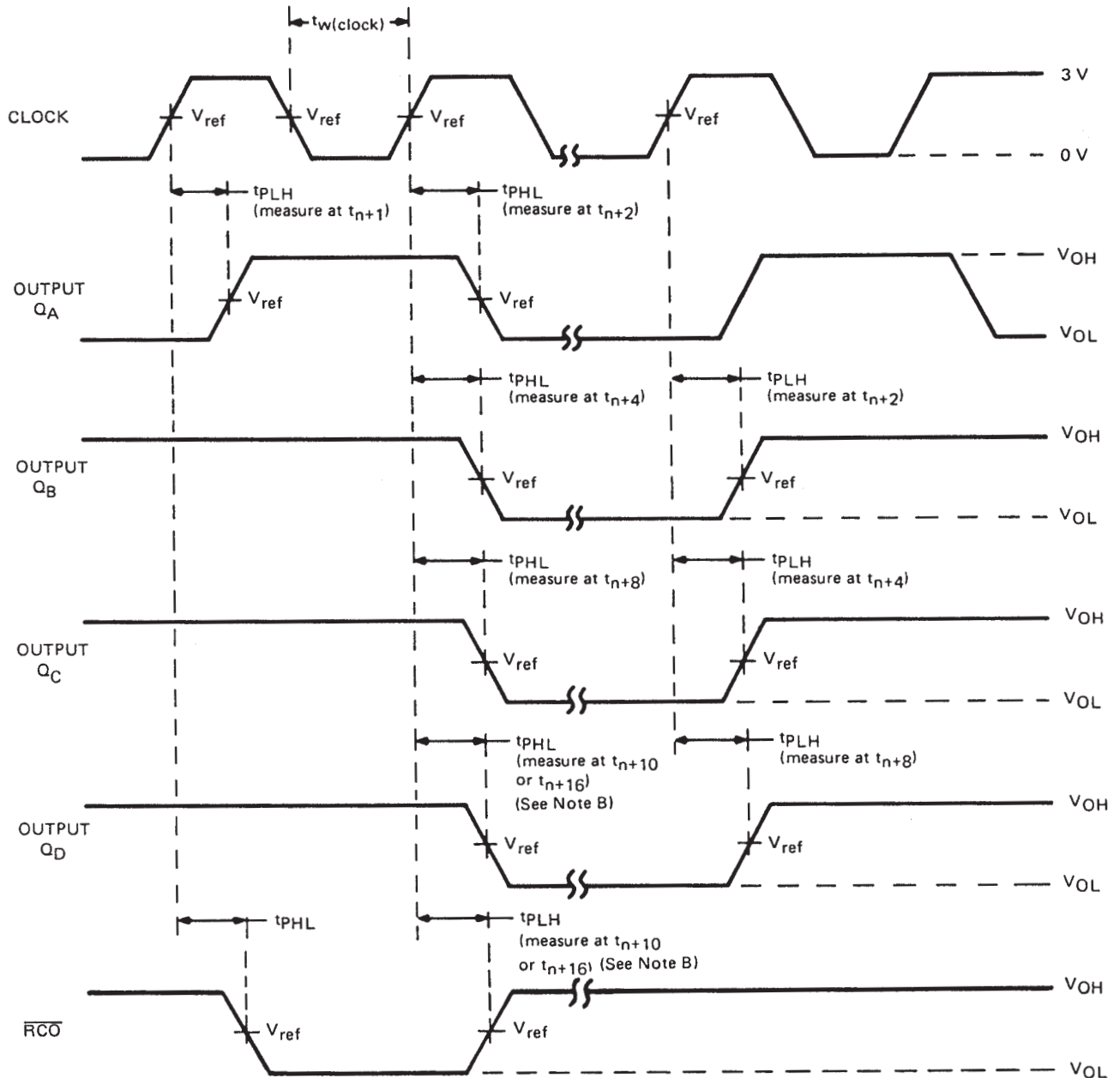
- NOTES: A. The input pulse is supplied by a generator having the following characteristics: PRR \leq 1 MHz, duty cycle \leq 50%, $Z_{out} \approx 50 \Omega$; $t_r \leq 15$ ns, $t_f \leq 6$ ns.
 B. t_{PLH} and t_{PHL} from enable \bar{T} input to ripple carry output assume that the counter is at the maximum count (Q_A and Q_D high for 'LS668, all Q outputs high for 'LS669).
 C. $V_{ref} = 1.3$ V.
 D. Propagation delay time from up/down to ripple carry must be measured with the counter at either a minimum or a maximum count. As the logic level of the up/down input is changed, the ripple carry output will follow. If the count is minimum (0) the ripple carry output transition will be in phase. If the count is maximum (9 for 'LS668, or 15 for 'LS669) the ripple carry output will be out of phase.

FIGURE 2—PROPAGATION DELAY TIMES TO CARRY OUTPUT



POST OFFICE BOX 655303 • DALLAS, TEXAS 75265

PARAMETER MEASUREMENT INFORMATION



UP-COUNT VOLTAGE WAVEFORMS

- NOTES: A. The input pulses are supplied by a generator having the following characteristics: $PRR \leq 1 \text{ MHz}$, duty cycle $\leq 50\%$, $Z_{out} \approx 50 \Omega$, $t_r \leq 15 \text{ ns}$, $t_f \leq 6 \text{ ns}$. Vary PRR to measure f_{max} .
- B. Outputs Q_D and carry are tested at t_{n+10} for the 'LS668, and at t_{n+16} for the 'LS669, where t_n is the bit-time when all outputs are low.
- C. $V_{ref} = 1.3 \text{ V}$.

FIGURE 3—PROPAGATION DELAY TIMES FROM CLOCK

IMPORTANT NOTICE

Texas Instruments and its subsidiaries (TI) reserve the right to make changes to their products or to discontinue any product or service without notice, and advise customers to obtain the latest version of relevant information to verify, before placing orders, that information being relied on is current and complete. All products are sold subject to the terms and conditions of sale supplied at the time of order acknowledgement, including those pertaining to warranty, patent infringement, and limitation of liability.

TI warrants performance of its semiconductor products to the specifications applicable at the time of sale in accordance with TI's standard warranty. Testing and other quality control techniques are utilized to the extent TI deems necessary to support this warranty. Specific testing of all parameters of each device is not necessarily performed, except those mandated by government requirements.

CERTAIN APPLICATIONS USING SEMICONDUCTOR PRODUCTS MAY INVOLVE POTENTIAL RISKS OF DEATH, PERSONAL INJURY, OR SEVERE PROPERTY OR ENVIRONMENTAL DAMAGE ("CRITICAL APPLICATIONS"). TI SEMICONDUCTOR PRODUCTS ARE NOT DESIGNED, AUTHORIZED, OR WARRANTED TO BE SUITABLE FOR USE IN LIFE-SUPPORT DEVICES OR SYSTEMS OR OTHER CRITICAL APPLICATIONS. INCLUSION OF TI PRODUCTS IN SUCH APPLICATIONS IS UNDERSTOOD TO BE FULLY AT THE CUSTOMER'S RISK.

In order to minimize risks associated with the customer's applications, adequate design and operating safeguards must be provided by the customer to minimize inherent or procedural hazards.

TI assumes no liability for applications assistance or customer product design. TI does not warrant or represent that any license, either express or implied, is granted under any patent right, copyright, mask work right, or other intellectual property right of TI covering or relating to any combination, machine, or process in which such semiconductor products or services might be or are used. TI's publication of information regarding any third party's products or services does not constitute TI's approval, warranty or endorsement thereof.